

CATALOG

01

Aluminium Louvered Pergola

- Lucida-M140S
- Stellar-M/E140
- Stellar-M/E140U
- Aurora-M/E175U
- Luna-E220
- Wanax-E300
- Free Standing 4 Posts
- Wall Mounting 2 Posts
- Integration
- Extension
- LED Light System
- Functional Device

03

Sunshade Pergola

- Perfora-Sunshade Perforated Sheet-Top Pergola
- Folia-Sunshade Fixed Blade-Top Pergola

02

Retractable Fabric-Top Pergola

- Astra-Lite
- Helios-Standard
- Selene-Binding

04

Side Elements

- Zip Screen
- Sheer Curtain
- Fixed Aluminium Screen
- Aluminium Perforated Screen
- Aluminium Sliding Shutter
- Aluminium Bi-folding Shutter
- Aluminium Fixed Glass Panel
- Slim Aluminium Sliding Glass Panel
- 30 Series Aluminium Sliding Glass Panel
- Aluminium Bi-folding Glass Panel
- Aluminium Operable Blades Screen (Horizontal)
- Aluminium Operable Blades Screen (Vertical)
- Aluminium Decorative Wall Panel

05

Parasol



INTRODUCTION

ALUMINUM LOUVERED PERGOLA

SunLever Louvered Pergola is a new type of outdoor shading solution that takes into accounts both practicality and fashion. The adjustable blades provide the most comfortable outdoor space experience. The electric or manual control system diversifies in multipurpose scenarios. The standard or customized sizes integrate in different design styles and application.



1. Waterproof with sealing strip



2. Wind-resistance



3. UV protection & insulation



4. Ventilation & heat dissipation



5. 0-120° operable blades adjustment



6. Snow load capability

COLLECTION OF ALUMINUM LOUVERED PERGOLA

M:Manual Control E:Electric Control	Lucida M140S	Stellar M140/E140	Stellar M140U/E140U	Aurora M175U/E175U	Luna E220	Wanax E300
Beam/Blades/Post: Al 6063-T5 Screws: SS304	 140x45x1.2mm	 140x35x1.2mm	 143x35x1.2mm	 175x45x1.5mm	 220x45x1.8mm	 300x70x3.0mm
 130x90x1.5mm	 130x90x1.5mm	 170x100x2.0mm	 200x65x2.0mm	 250x60x2.0mm	 280x65x3.0mm	 280x65x3.0mm
 100x100x1.8mm	 100x100x1.8mm	 120x120x2.0mm	 150x150x2.0mm	 150x150x2.3mm	 150x150x4.0mm	 150x150x4.0mm
Blade Advantage- Maximum Span	3m One blade maximum span 3m		4m One blade maximum span 4m		4.5m One blade maximum span 4.5m	6.5m One blade maximum span 6.5m
Post Advantage	① Wet and dry separation ② Stable Structure ③ Patent Design		① Strong Structure, 120mm wide, 2.0mm thick ② Patent Design		① Strong Structure, 150mm wide, 2.3mm thick ② Patent Design	① Wet and dry separation ② Strong Structure, 150mm wide, 2.3mm thick ③ Patent Design
Gutter Advantage	Integrated gutter and beam design, easy install and strong				With big gutter, fast drainage	
Standard Size (If have quantity, customized available.)	① 3×3m ② 4×3m ③ 5×3m ④ 6×3m (with 6 posts)	① 3×3m ② 4×3m ③ 5×3m ④ 6×3m (with 6 posts) ⑤ 4×4	① 3×3m ② 4×3m ③ 5×3m ④ 6×3m (with 6 posts) ⑤ 4×4m ⑥ 5×4m ⑦ 6×4m (with 6 posts)	① 3×3m ② 4×3m ③ 5×3m ④ 6×3m ⑤ 4×4m ⑥ 5×4m ⑦ 6×4m	① 3×3m ② 4×3m ③ 5×3m ④ 6×3m ⑤ 4×4m ⑥ 5×4m ⑦ 6×4m	① 3×3m ② 4×3m ③ 5×3m ④ 6×3m ⑤ 3×4m ⑥ 4×4m ⑦ 5×4m ⑧ 6×4m ⑨ Custom size available
Blade Advantage- Waterproof Function	With rubber strip in blades, better waterproof performance.					
SnowLoad	① 0.43m ② 85kg/m ² (Base on louver 3m span)	① 0.6m ② 120kg/m ² (Base on louver 3m span)	① 0.68m ② 135kg/m ² (Base on louver 4m span)	① 0.88m ② 175kg/m ² (Base on louver 4m span)	① 0.95m ② 190kg/m ² (Base on louver 4m span)	① 1m ② 200kg/m ² (Base on louver 6m span)
Light System	 ① No Light ② LED Light Strip around the gutter			 ① LED Light Strip built in the blades ② LED Light Strip around the gutter		 Down Light built in the blade or beam



Manual

LUCIDA - M140S

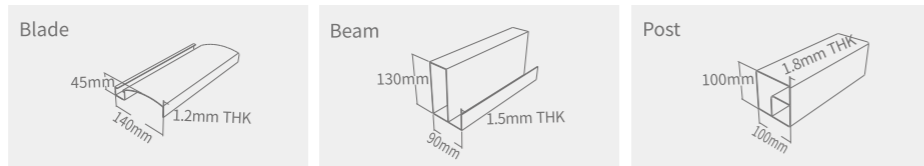
ALUMINUM LOUVERED PERGOLA

Entry-level High Cost Performance: Lightweight and at the same time waterproof, windproof and corrosion-resistant, heat-insulating, flexible blades angle adjustment, easy to install, suitable for a variety of outdoor places.

Special design for beginners to the outdoor sunshade product.

Standard Size		
Width	Span	QTY of post
3m	3m	4
4m	3m	4
5m	3m	4
6m	3m	6

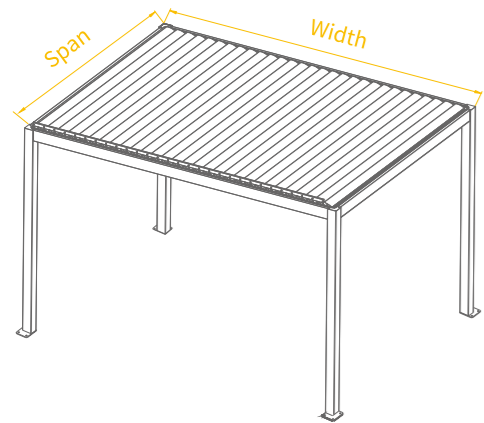
Profiles section view



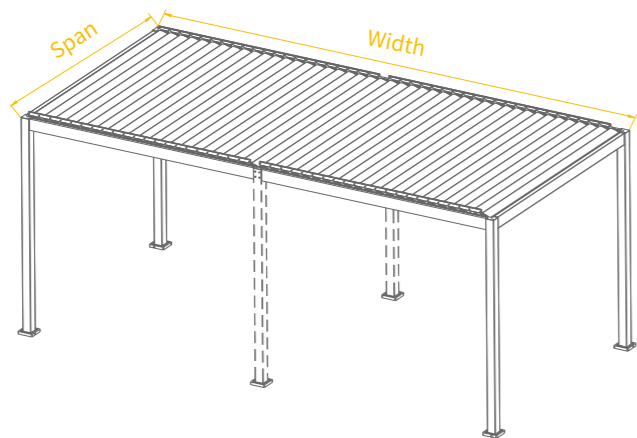
Standard Color



Schematic diagram of single module with 4 posts:



Schematic diagram of single module with 6 posts:





STELLAR - M/E140

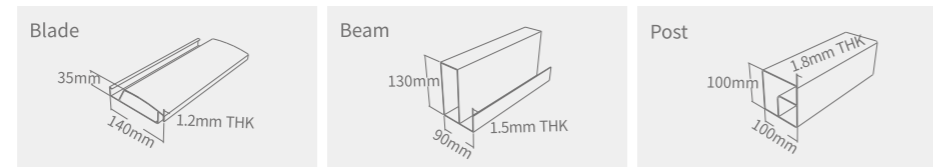
ALUMINUM LOUVERED PERGOLA

Economical and Practical Choice:M/E140 series precisely controls costs while ensuring material quality,with excellent durability and corrosion resistance.

Flexible Louver Control: The louvers can be flexibly adjusted in angle to precisely control sunlight and ventilation, meeting diverse needs in different periods and scenarios.

Standard Size		
Width	Span	QTY of post
3m	3m	4
4m	3m	4
5m	3m	4
6m	3m	6
4m	4m	4

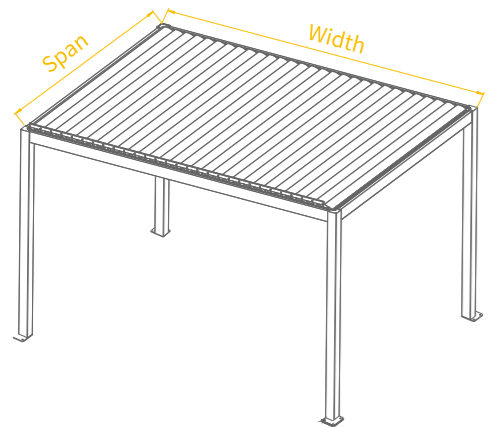
Profiles section view



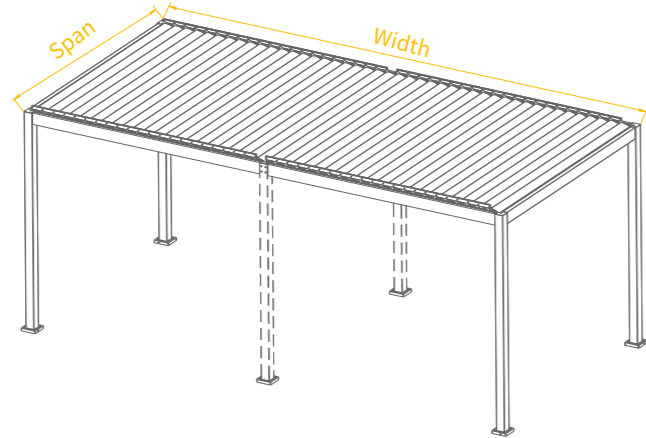
Standard Color



Schematic diagram of single module with 4 posts:



Schematic diagram of single module with 6 posts:





STELLAR ULTRA - M/E140U

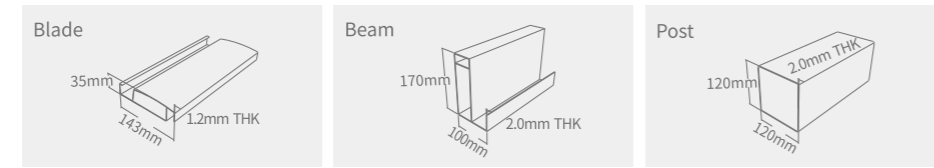
ALUMINUM LOUVERED PERGOLA

King of Cost-effectiveness: Compared with 140 series, 140U series are upgraded with post, beam and louver, which allows it has stronger structural support, better drainage, more sizes and better scene adaptability.

Exquisite Craftsmanship and Appearance: With stylish design, it easily adds elegance to various spaces.

Standard Size		
Width	Span	QTY of post
3m	3m	4
4m	3m	4
5m	3m	4/6
6m	3m	6
4m	4m	4
5m	4m	4/6
6m	4m	6

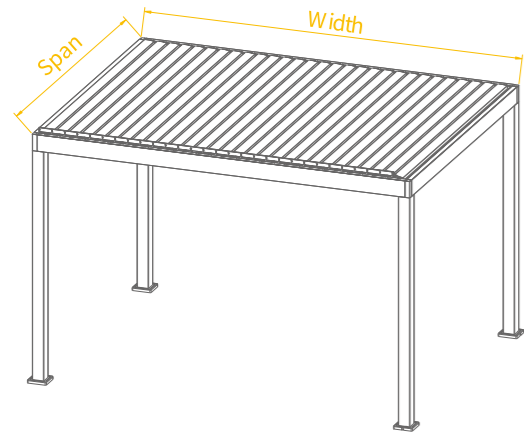
Profiles section view



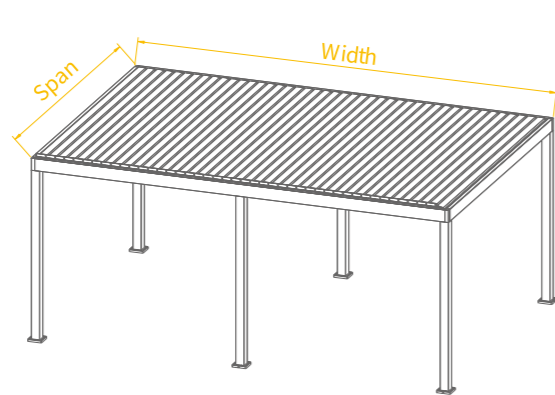
Standard Color



Schematic diagram of single module with 4 posts:



Schematic diagram of single module with 6 posts:





AURORA ULTRA-M/E175U

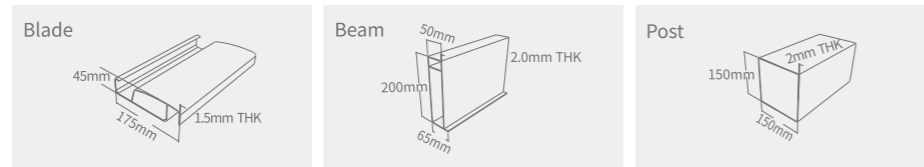
ALUMINUM LOUVERED PERGOLA

King of Household Solutions: The 175U series is an upgraded and optimized version of the entire 140 series. Its load-bearing, drainage and wind resistance are better than the 140 series. It also supports manual/electric operation.

Ultimate practicality and beauty, the amazing price-performance.

Standard Size		
Width	Span	QTY of post
3m	3m	4
4m	3m	4
5m	3m	4
6m	3m	4
4m	4m	4
5m	4m	4
6m	4m	4

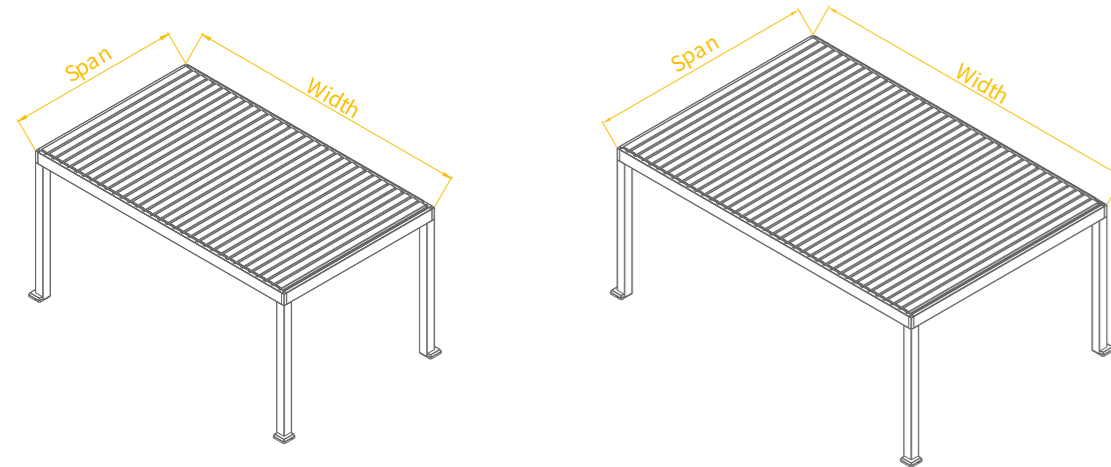
Profiles section view



Standard Color



Schematic diagram of single module with 4 posts:





LUNA-E220

ALUMINUM LOUVERED PERGOLA

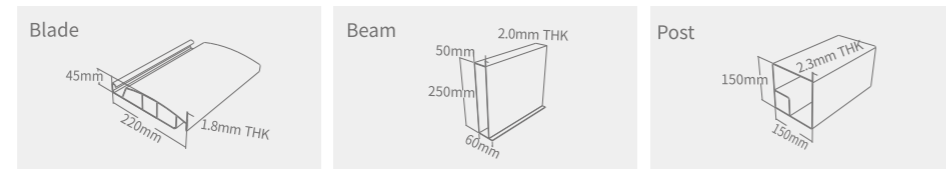
Equipped with a high-end intelligent electric system, users can easily control the opening, closing and angle adjustment of the louvers, achieving an intelligent operation experience. Whether it is quickly shading in the hot sun or precisely ventilating in the gentle breeze, it can be done with one click.

Provide comprehensive customization services, meeting the personalized needs of customers.

Standard Size		
Width	Span	QTY of post
3m	3m	4
4m	3m	4
5m	3m	4
6m	3m	4
3m	4m	4
4m	4m	4
5m	4m	4
6m	4m	4

*custom - made sizes are available.

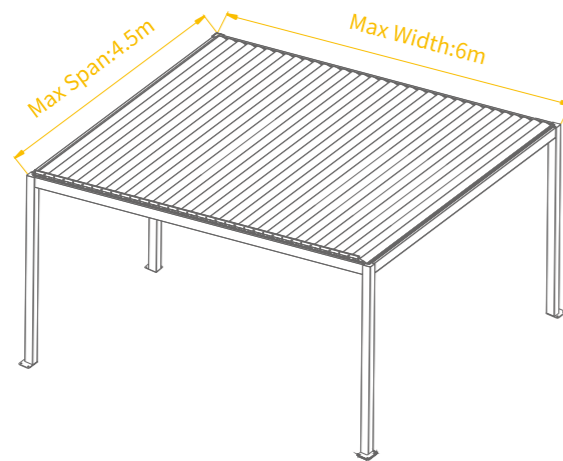
Profiles section view



Standard Color



Schematic diagram of the maximum dimensions of a single module with 4 posts:





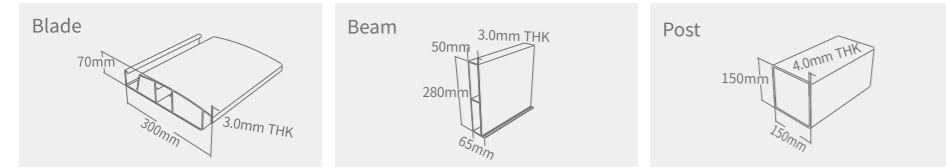
Electric

WANAX-E300

ALUMINUM LOUVERED PERGOLA

As an extra-large model,E300 series provide a wider shading and leisure space.At the same time, the louver design can be adjusted in all directions to meet complex space needs.

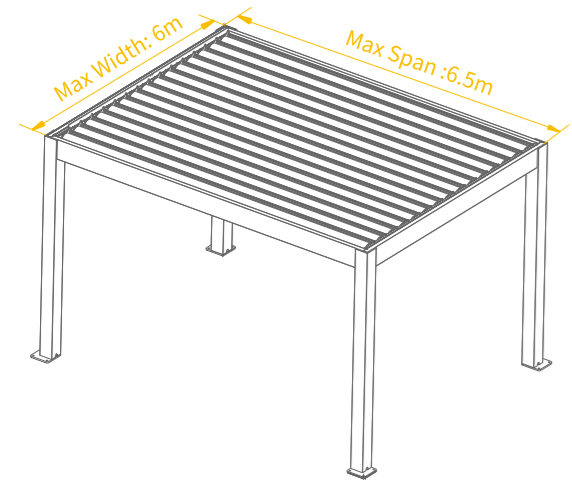
Profiles section view



Standard Color

- | | | | | | |
|---|---|--|--|--|------------------------------|
| | | | | | |
| Dark grey
YFC30041
RAL7043 | Anthracite
grey
YFC30038
RAL7016 | Matt white
YFS10001
RAL9016 | Matte black
YFC80004
RAL9011 | Oak
timber
YFCM0086N | Cedar
timber
YFCM0073N |
| | | | | | |
| Galaxy series
Quartz grey
ice grey
RAL7039 | Galaxy series
Matte white
RAL9002 | Galaxy series
Siler grey
RAL7035 | Galaxy series
Champagne
Freeze
PMM237 | Galaxy series
Grey brown
RAL8019 | |

Schematic diagram of the maximum dimensions of a single module with 4 posts:

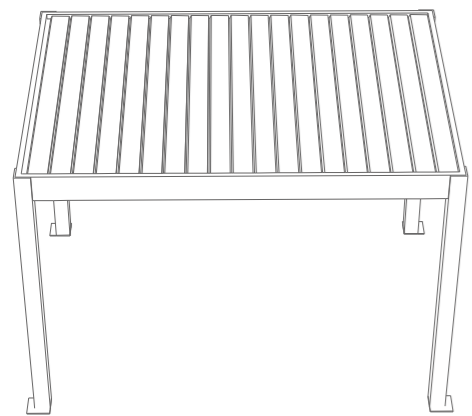


PART.01

FREE STANDING 4 POSTS

ALUMINUM LOUVERED PERGOLA

Classic freestanding 4-post installation. Can apply to any scenario like hotels, courtyards and gardens.

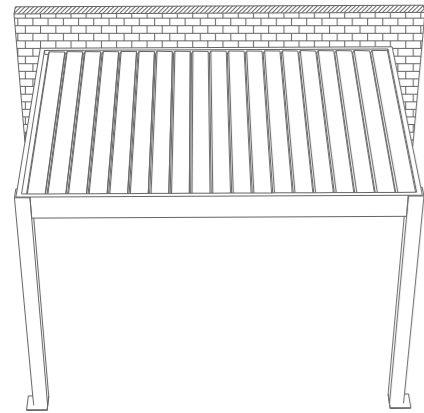


PART.01

WALL MOUNTING 2 POSTS

ALUMINUM LOUVERED PERGOLA

Wall mounting 2-post installation. Extending a good place for sunshade, heat insulation and rain shelter. Can integrate into the courtyard.

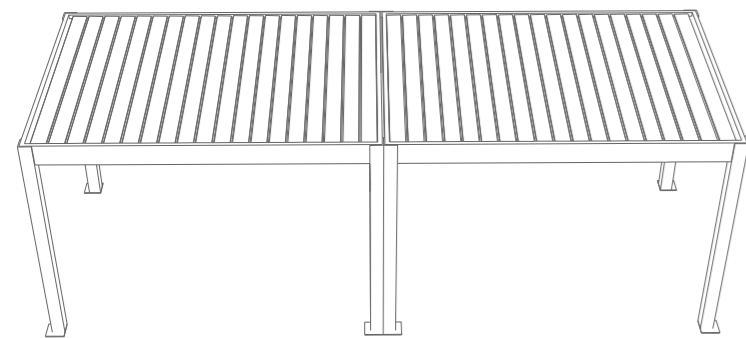


PART.01

INTEGRATION

ALUMINUM LOUVERED PERGOLA

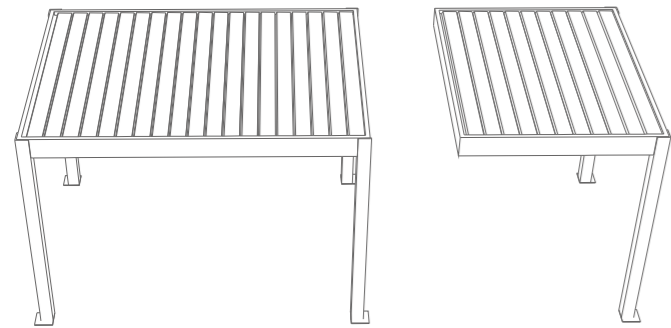
Multiple 4-post louvered pergolas can be spliced together to meet the needs of space extension, and can be used in hotel swimming pools and restaurants.



EXTENSION

ALUMINUM LOUVERED PERGOLA

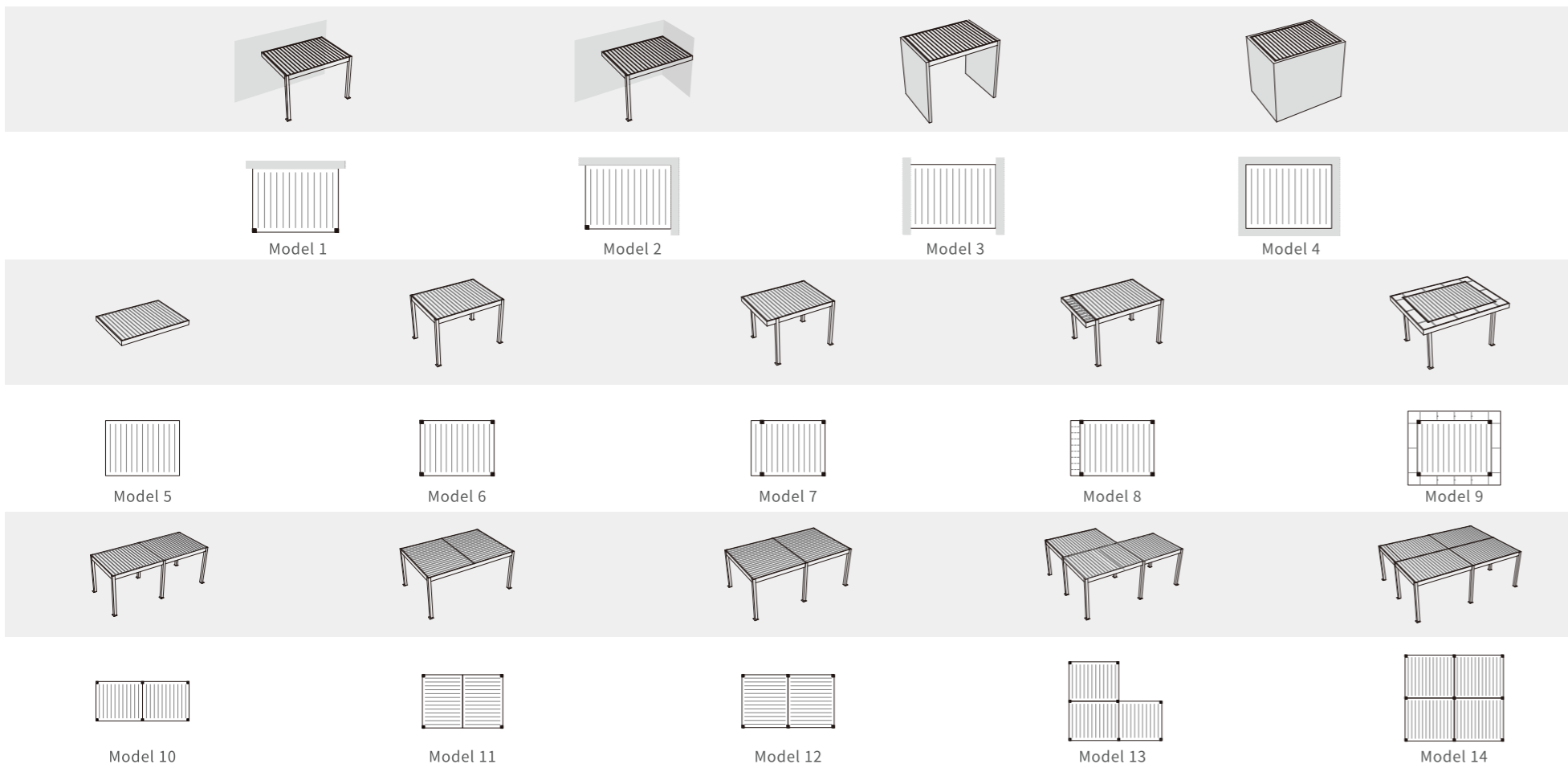
A 4-post louvered pergola superimposed on a 2-post louvered pergola to extend the storage space, which is mostly used for courtyard storage and commercial leisure areas.



CUSTOMIZER

ALUMINUM LOUVERED PERGOLA

Freely customize the space, you can match multiple 2-post louvered pergolas. We will come up with a plan based on your space needs and conditions to create a unique ideal space for you.



LED LIGHT SYSTEM

ALUMINUM LOUVERED PERGOLA



LED light strip around the gutter

For 140S, 140, 140U, 220 & 300 series.



LED light strip built in the blade

For 175U, 220 & 300 series.



RGB LED light strip around the gutter

For 140S, 140, 140U, 220 & 300 series.



Downlight

For 220 & 300 series.

*All light strips can be with dimming control system.

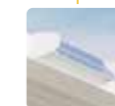
FUNCTIONAL DEVICE

ALUMINUM LOUVERED PERGOLA



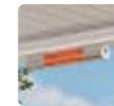
Rain Wind Sensor

Rain & Wind Sensor automatically senses and detects wind, light, and rain in natural climates, and transmits the realize automatic closing to protect the electric louvered pergola.



Solar Panel

By absorbing sunlight and converting it into electrical energy, the control system and lighting system can be electrically controlled without being connected to the power supply.



Heater

The electric heater heats up quickly and the heat is not easy to spread, suitable for heating in the pergola.



ASTRA-LITE

RETRACTABLE FABRIC-TOP PERGOLA

Can be easily folded and unfolded, with simple operation. Made of high-performance sunscreen fabric, it can effectively block ultraviolet rays. According to different site requirements, a variety of installation methods can be selected, with strong adaptability. A waterproof LED lighting system on the top, which adds a sense of atmosphere to courtyards, hotels, and restaurants.

Standard Size			
K1	L1	QTY of post	Schematic
3m	3m	4	A
4m	3m	4	A
5m	3m	4	B
6m	3m	4	B
7m	4m	6	C
8m	4m	6	C

Profiles section view



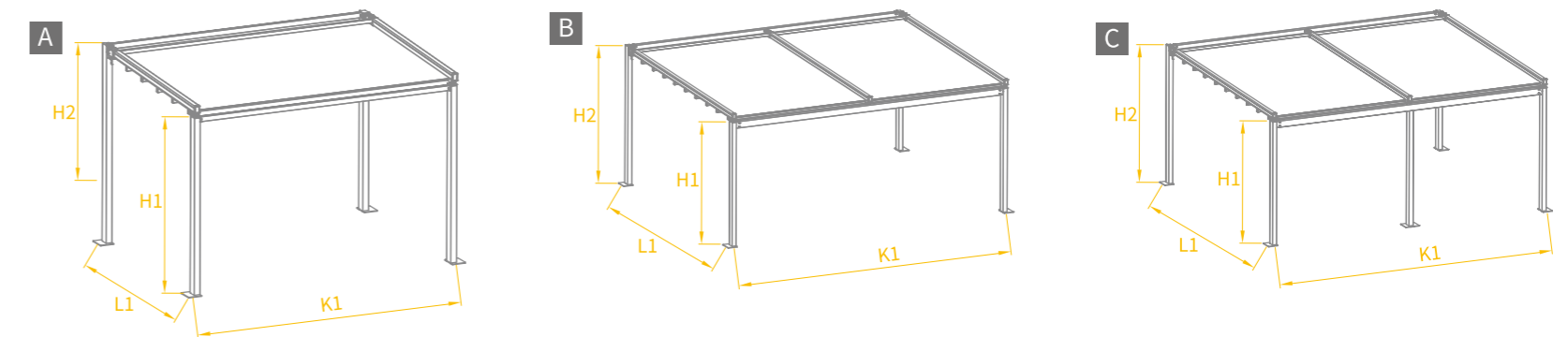
Aluminium Standard Color



Fabric Color



Schematic diagram of different modules



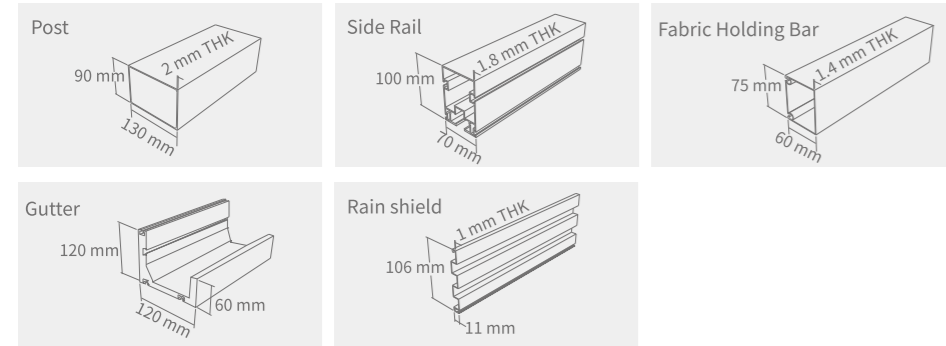


HELIOS-STANDARD

RETRACTABLE FABRIC-TOP PERGOLA

The product features a robust sloping roof design with a simple and modern aesthetic. The structural elements arranged diagonally on the top add a sense of layering to the building. At the same time, the posts and beams have undergone significant upgrades, providing stronger support and the ability to withstand harsh environments.

Profiles section view



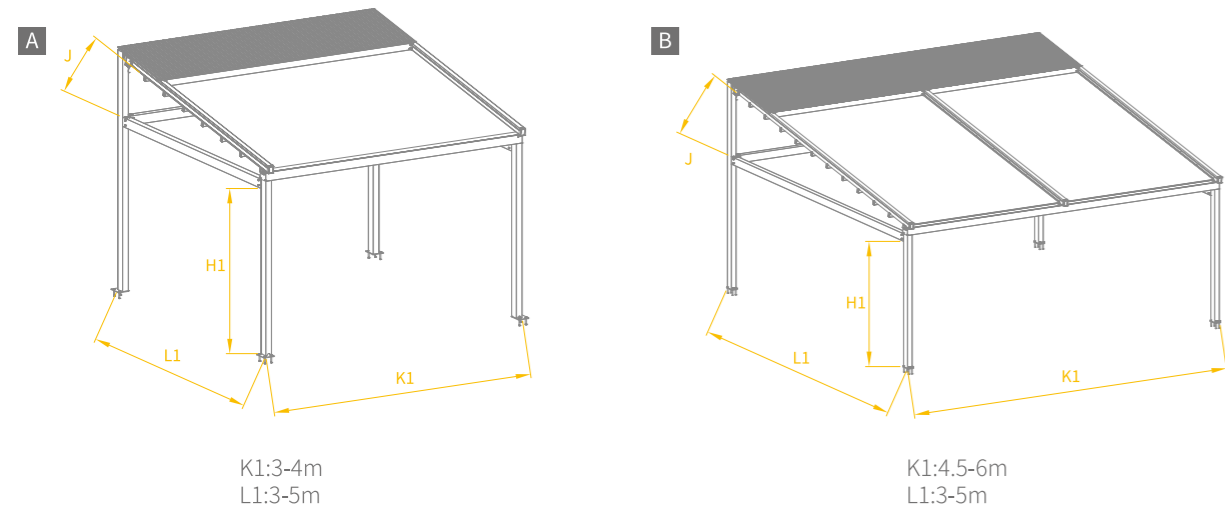
Aluminium Standard Color



Fabric Color



Schematic diagram of different modules



*Custom-made sizes available.





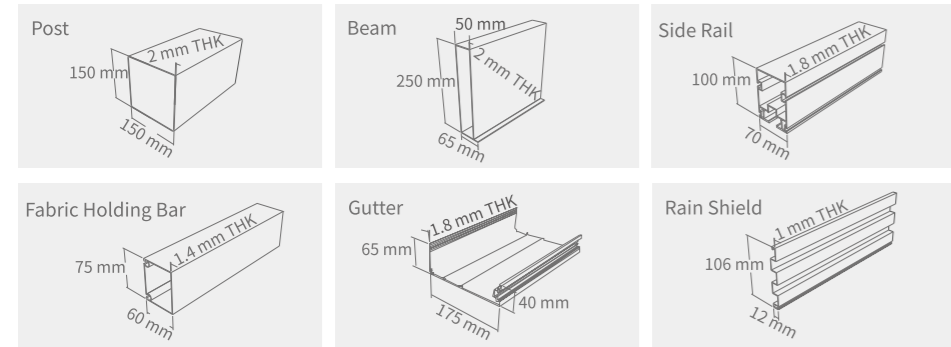
Electric

SELENE-BINDING

RETRACTABLE FABRIC-TOP PERGOLA

Compared to the lite version, the binding version has an aluminum frame wrapped around all four sides of the top and upgraded beams for greater structural support, adding safety to all types of spaces.

Profiles section view



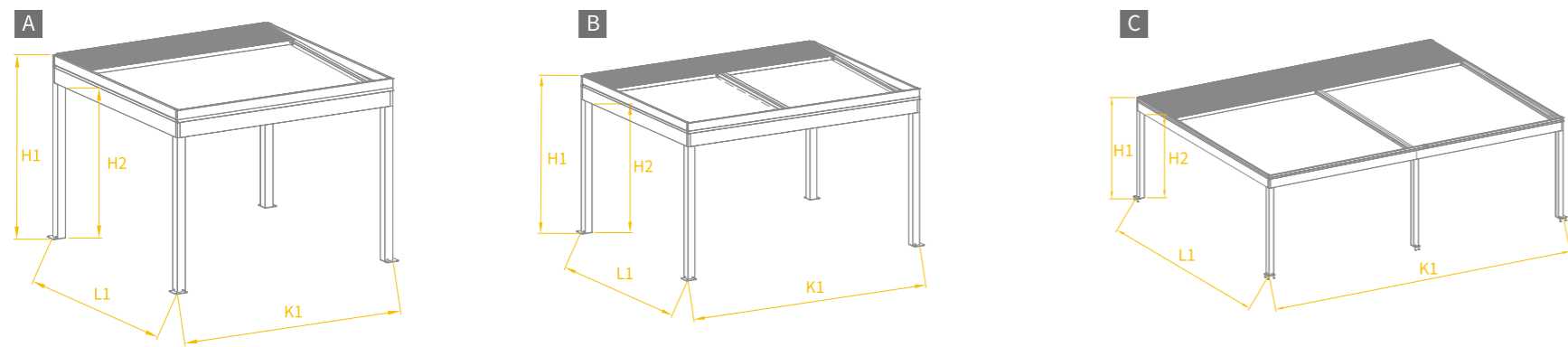
Aluminium Standard Color



Fabric Color



Schematic diagram of different modules



Standard Size				Standard Size				Standard Size				Standard Size			
K1	L1	QTY of post	Schematic	K1	L1	QTY of post	Schematic	K1	L1	QTY of post	Schematic	K1	L1	QTY of post	Schematic
3m	3m	4	A	3m	4m	4	A	3m	5m	4	A	3m	6m	4	A
4m	3m	4	A	4m	4m	4	A	4m	5m	4	A	4m	6m	4	A
5m	3m	4	B	5m	4m	4	B	5m	5m	4	B	5m	6m	4	B
6m	3m	4	B	6m	4m	4	B	6m	5m	4	B	6m	6m	4	B
7m	3m	6	C	7m	4m	6	C	7m	5m	6	C	7m	6m	6	C
8m	3m	6	C	8m	4m	6	C	8m	5m	6	C	8m	6m	6	C

*Custom-made sizes are available.

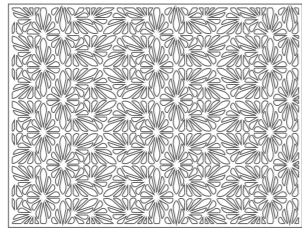
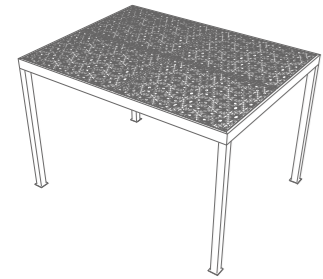
PERFORA-SUNSHADE PERFORATED SHEET-TOP PERGOLA

The top is a perforated aluminum plate, the pattern can be customized. This exquisite craft is a combination of aesthetics and light and shadow art. It is made of high-quality aluminum alloy, ventilated and has a certain sunshade effect. It is mostly used for outdoor decoration.

Standard Size		
Width	Span	QTY of post
3m	3m	4
4m	3m	4
5m	3m	4
6m	3m	4

*custom - made sizes are available.

Schematic diagram of the maximum dimensions of a single module with 4 posts:

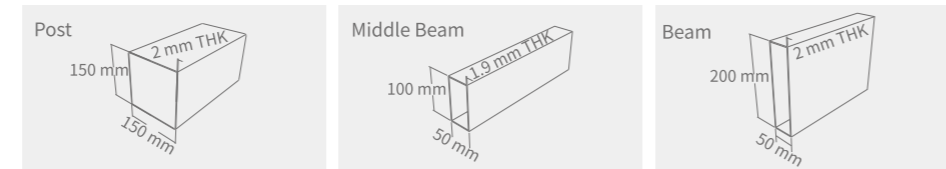


Pattern Options

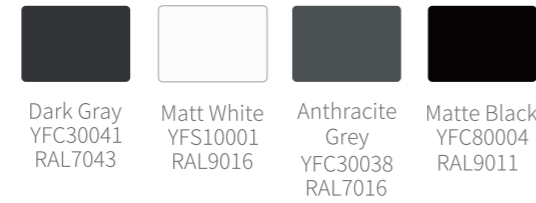


*custom-designed patterns are available.

Profiles section view



Aluminium Standard Color



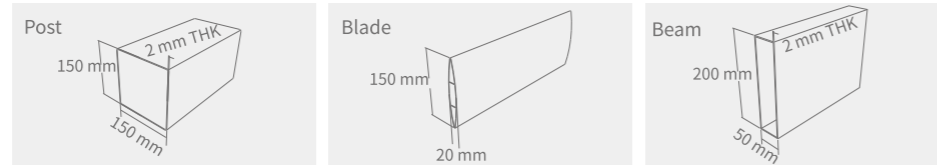
FOLIA-SUNSHADE FIXED BLADE-TOP PERGOLA

150 mm blade width, the overall lines are simple and smooth, the frame structure is neat and tidy, showing an elegant geometric form. Whether it is a modern minimalist style or a European or Chinese courtyard, it can be harmoniously integrated.

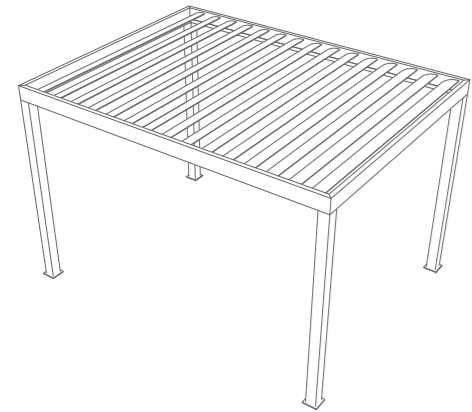
Standard Size		
Width	Span	QTY of post
3m	3m	4
4m	3m	4
5m	3m	4
6m	3m	4

*custom - made sizes are available.

Profiles section view



Schematic diagram of the maximum dimensions of a single module with 4 posts:



Aluminium Standard Color



Dark Gray
YFC30041
RAL7043

Matt White
YFS10001
RAL9016



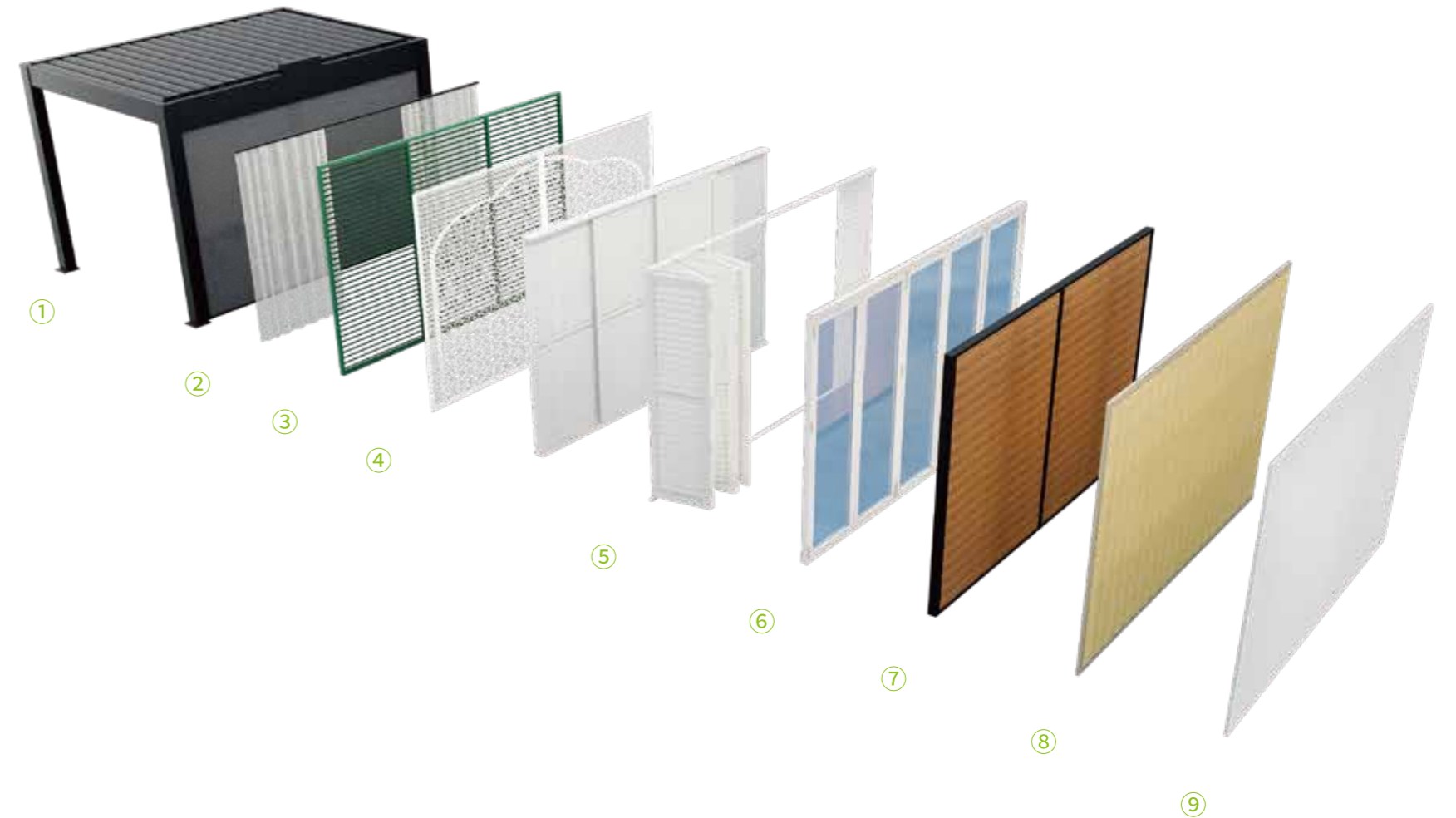
Anthracite
Grey
YFC30038
RAL7016

Matte Black
YFC80004
RAL9011



COLLECTION OF SIDE ELEMENT

Items	①	②	③		④	⑤		⑥			⑦	⑧	⑨
Products	Zip Screen	Sheer Curtain	Fixed Aluminium Screen		Aluminium Perforated Screen	Aluminium Sliding Shutter	Aluminium Bi-folding Shutter	Aluminium Fixed Glass Panel	Aluminium Sliding Glass Panel	Aluminium Bi-folding Glass Panel	Aluminium Operable Blades Screen (Horizontal)	Aluminium Operable Blades Screen (Vertical)	Aluminium Decorative Wall Panel
Details	5% air flow	Domestic/ Imported Italian fabric	Horizontal Batten: RHS 50x16	Vertical Batten: RHS 50x16	Standard/ Customized Patterns	90mm Oval Blades/ 93mm Flat Blades/ RHS20mm Batten/ Perforated Sheet	90mm Oval Blades/ 93mm Flat Blades/ RHS20mm Batten/ Perforated Sheet	10mm toughened glass	10mm toughened glass	6mm toughened glass	140mm Flat Blades	140mm Oval Blades	Batten RHS100/ 130mm
3m Side						 3 tracks 3 panels	 431		 3 tracks 3 panels	 431			
4m Side						 2 tracks 4 panels	 651		 4 tracks 4 panels	 651			
5m Side	Middle post X Apply to #110 series					 1 set of 3 tracks 6 panels or 2 sets of 3 tracks 3 panels	 431+431		 5 tracks 5 panels	 431+431			
	Middle post ✓ Apply to #90 series					 1 set of 3 tracks 6 panels or 2 sets of 3 tracks 3 panels	 431+431		 2 sets of 3 tracks 3 panels	 431+431			
6m Side	Middle post X Apply to #110 series					 1 set of 3 tracks 6 panels or 2 sets of 3 tracks 3 panels	 431+431		 3 tracks 6 panels				
	Middle post ✓ Apply to #90 series					 1 set of 3 tracks 6 panels or 2 sets of 3 tracks 3 panels	 431+431		 2 sets of 3 tracks 3 panels	 431+431			

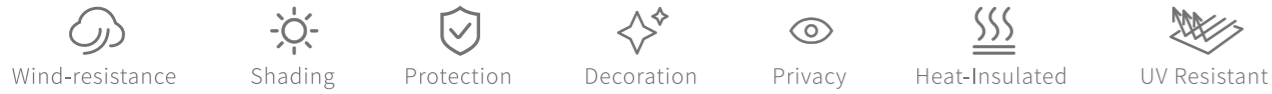


ZIP SCREEN

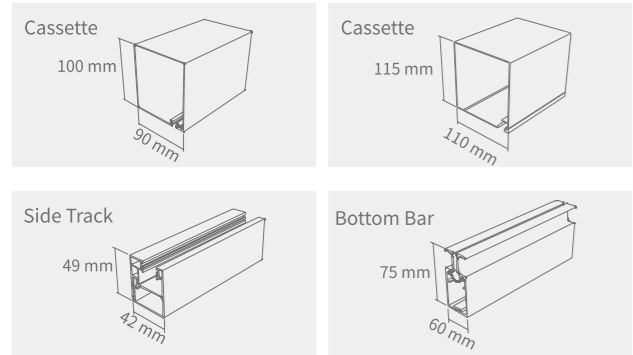


Options available: manual and electric

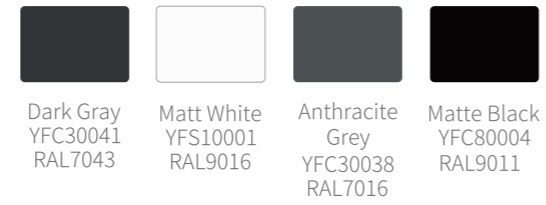
The effective combination of low-transmittance sunlight fabric and intelligent balancer ensures that the fabric remains flat and stable during the lifting process, thereby achieving smooth and stable lifting and overall strong wind resistance.



Profiles section view

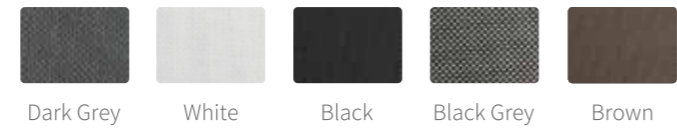


Aluminium Standard Color



Standard Fabric

Light Transmittance: 5%



SHEER CURTAIN

SIDE ELEMENTS

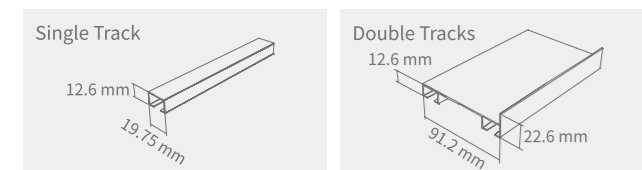
Options available: domestic and imported Italian fabrics

A semi-transparent gauze curtain with a soft texture and a hidden, hazy aesthetic.

Easy to maintain and clean, as well as anti-corrosion, stain and sunlight resistant, the gauze curtains are suitable for both indoor and outdoor use.

Installation of sheer curtains curtains in the awning border is not only a spacing between two spaces, but also adds a sense of atmosphere and aesthetic images.

Profiles section view



Aluminium Standard Color

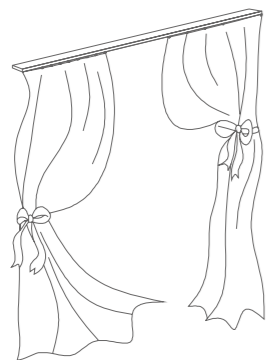


Dark Gray
YFC30041
RAL7043



Matt White
YFS10001
RAL9016

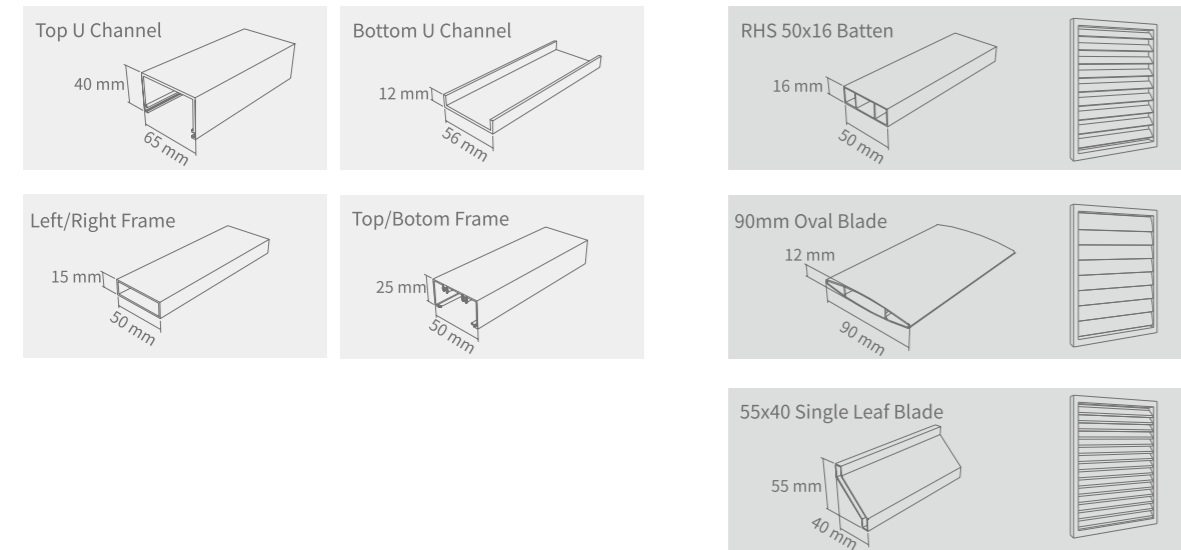
Schematic diagram of the maximum dimensions



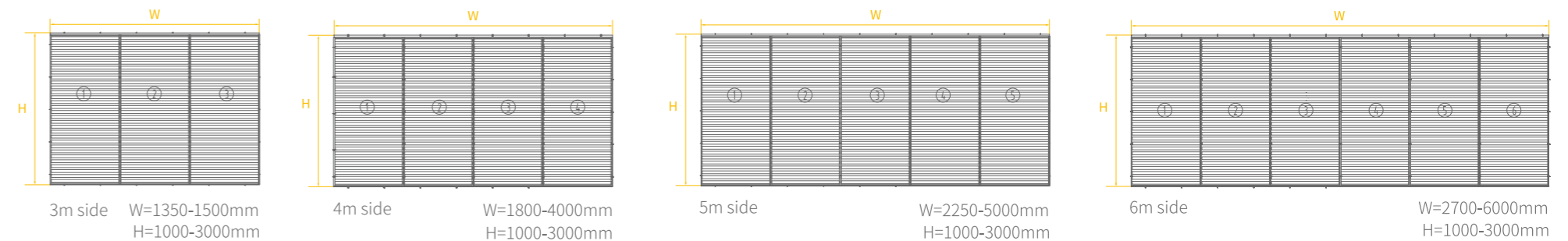
FIXED ALUMINIUM SCREEN

This horizontal fixed screen is made of high-quality aluminum alloy, which has the advantages of light weight, high strength, corrosion resistance, and not easy to deform, ensuring the durability of the screen. It can be matched with various decoration styles, adding a sense of refinement and elegance.

Profiles section view



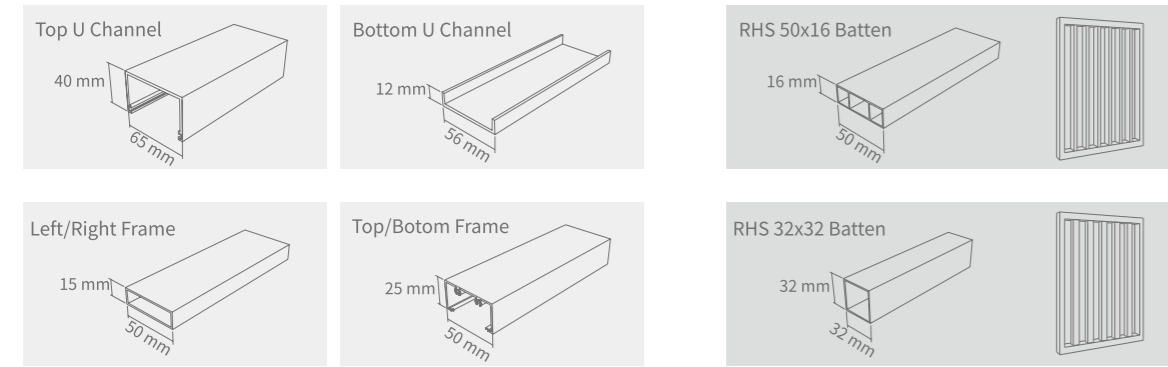
Aluminium Standard Color



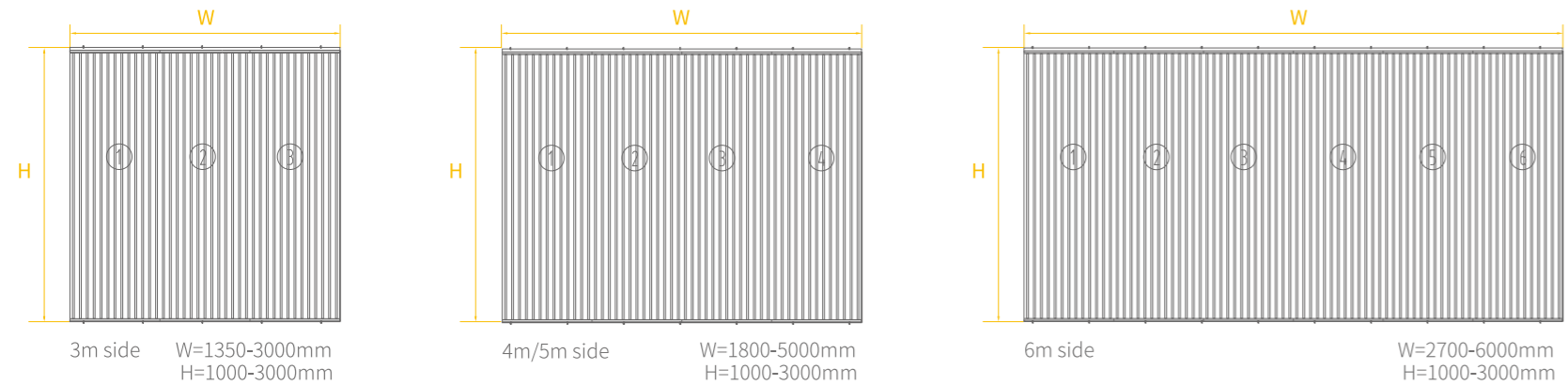
FIXED ALUMINIUM SCREEN

The vertical design screen is unique and consistent with the horizontal functional material. The vertical structure is more stable in the height direction and can better meet the needs of separating higher spaces. It can create a simple and smooth visual effect.

Profiles section view



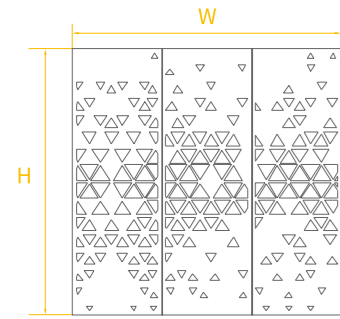
Aluminium Standard Color



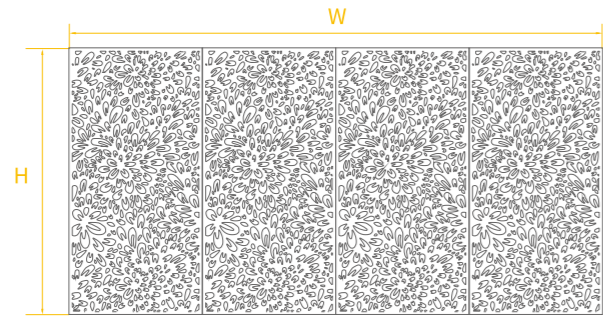
ALUMINIUM PERFORATED SCREEN

Used for partial shading and decoration on the side of the louvered pergola. Compared with ordinary metal plates, aluminum alloy hollow aluminum plates are lighter and stronger, especially with various patterns and shapes, which are more suitable for the decoration of the pergola. Regular patterns and customized patterns are available.

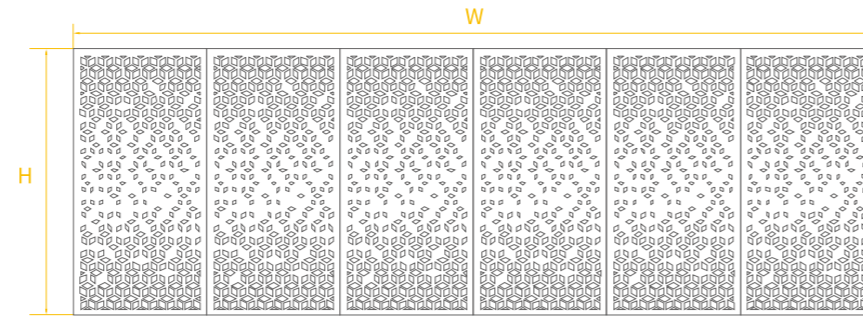
Aluminium Standard Color



3m side
W=1350-3000mm
H=1000-3000mm



4m/5m side
W=1800-5000mm
H=1000-3000mm



6m side
W=2700-6000mm
H=1000-3000mm

Pattern Options



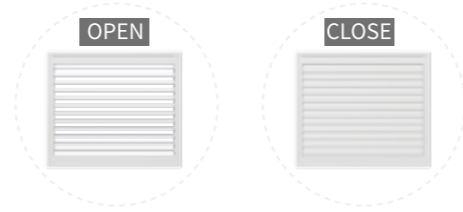
*custom-designed patterns are available.



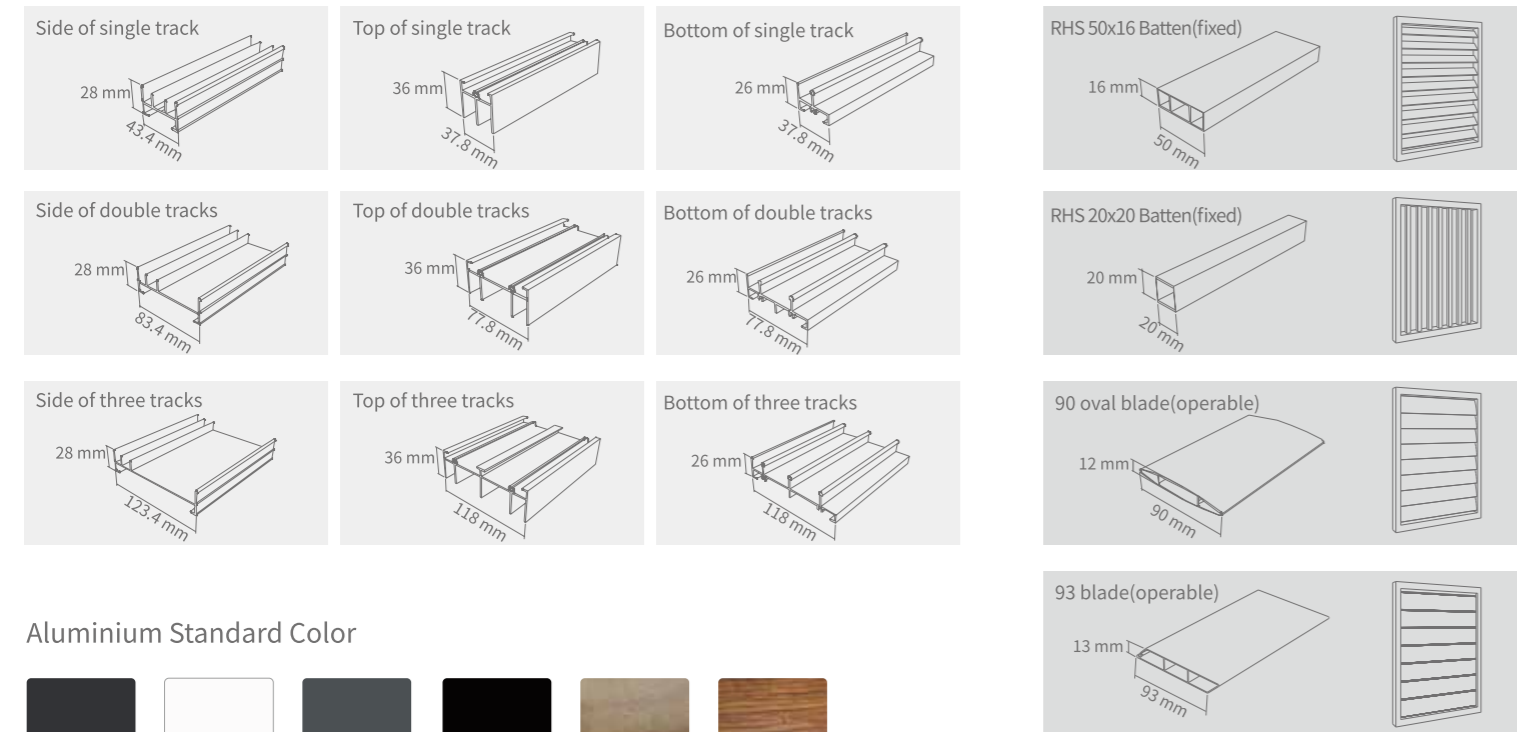
ALUMINIUM SLIDING SHUTTER

Options for material: RHS 20mm Batten, 90mm oval operable blade, 93mm flat operable blade.

The wing-shaped and double-layer blades are anti-bending, and the blades can be turned over at will. The built-in high-quality anti-collision sliding system is easy to control ventilation and light transmittance. The product adopts waterproof and anti-ultraviolet powder coating, which is long-lasting and can be used for home space partitions and balconies.



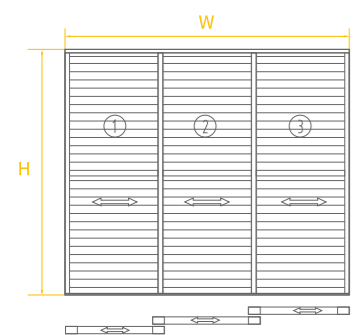
Profiles section view



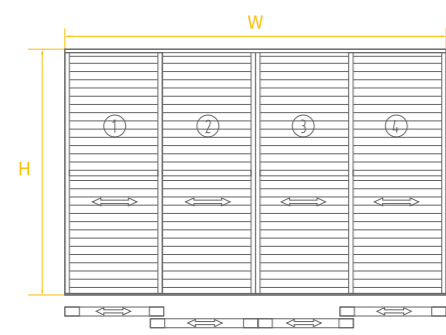
Aluminium Standard Color



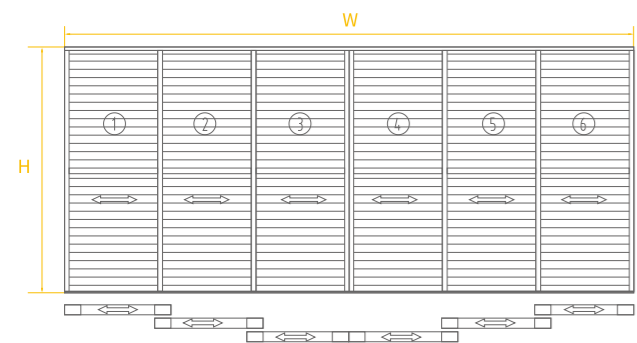
ALUMINIUM SLIDING SHUTTER



3m side 3 tracks 3 panels
W=1000-3000mm
H=1000-3000mm



4m/5m side 2 tracks 4 panels
W=2000-5000mm
H=1000-3000mm



6m side 3 tracks 6 panels
W=3000-6000mm
H=1000-3000mm

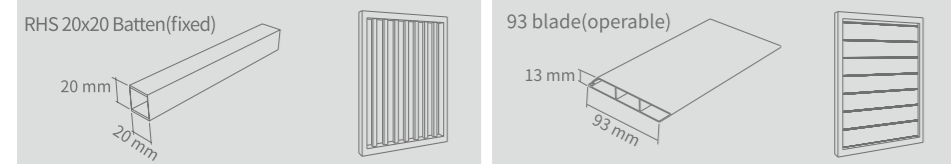
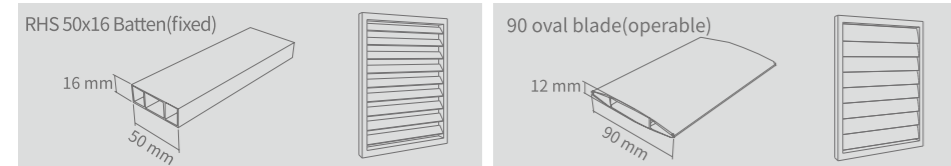
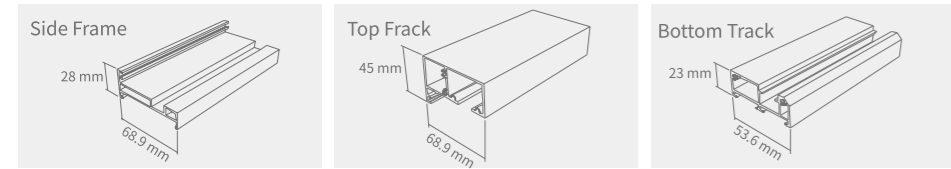


ALUMINIUM BI-FOLDING SHUTTER

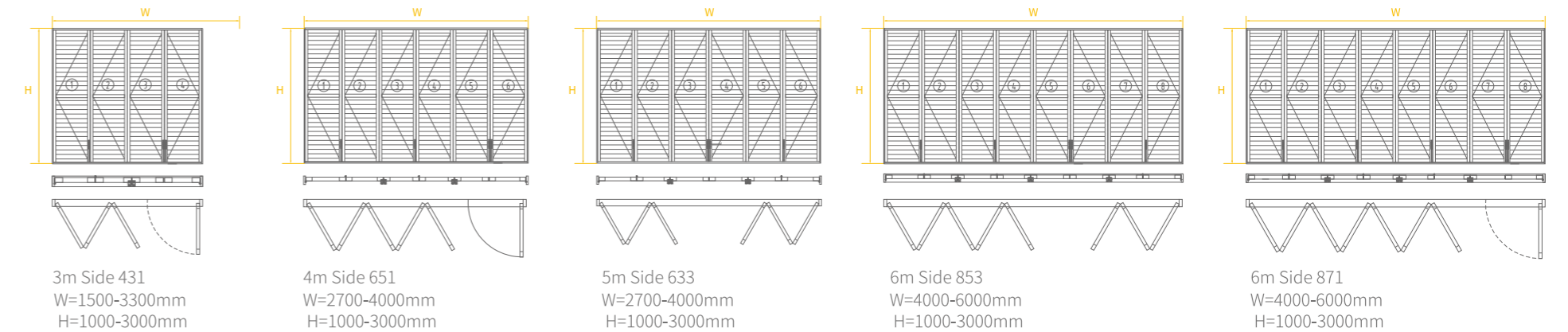
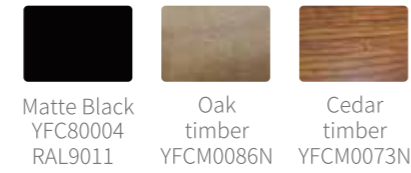
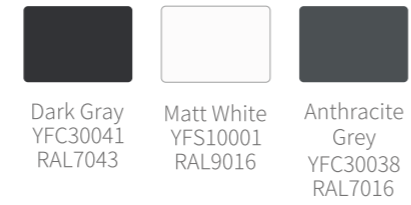
Its notable feature is that the shutter blades can be folded flexibly, and the shutters can be opened and closed and the angle can be adjusted through special connections and transmission devices. The foldable design replaces traditional fixed shutter systems, offering immediate space-use flexibility.



Profiles section view



Aluminium Standard Color



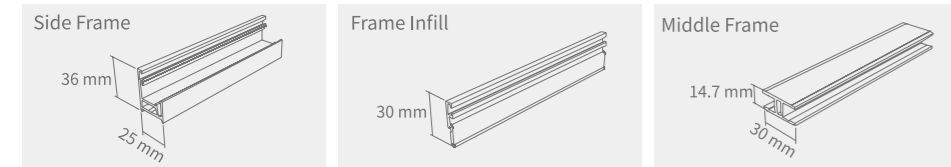


Wind-resistance

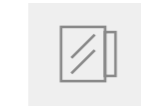
ALUMINIUM FIXED GLASS PANEL

Premium aluminum and 10mm tempered glass reduce the weight of the door while ensuring the stability of the structure. It has excellent thermal insulation and sound insulation performance, and the interior space is brighter and more transparent. The minimalist aesthetics meet the needs of personalized decoration. Suitable for homes, commercial places, and office spaces.

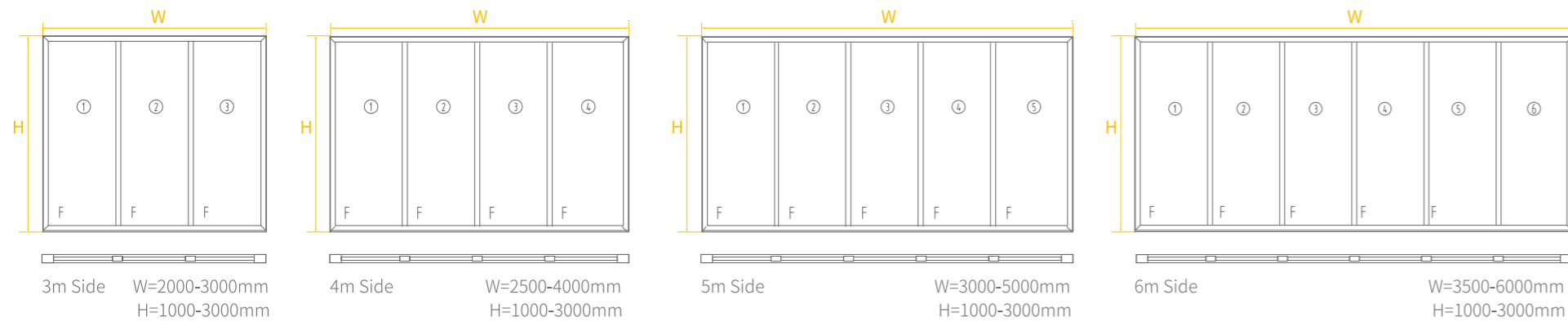
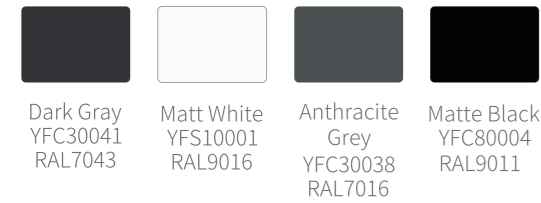
Profiles section view



10mm tempered glass



Aluminium Standard Color

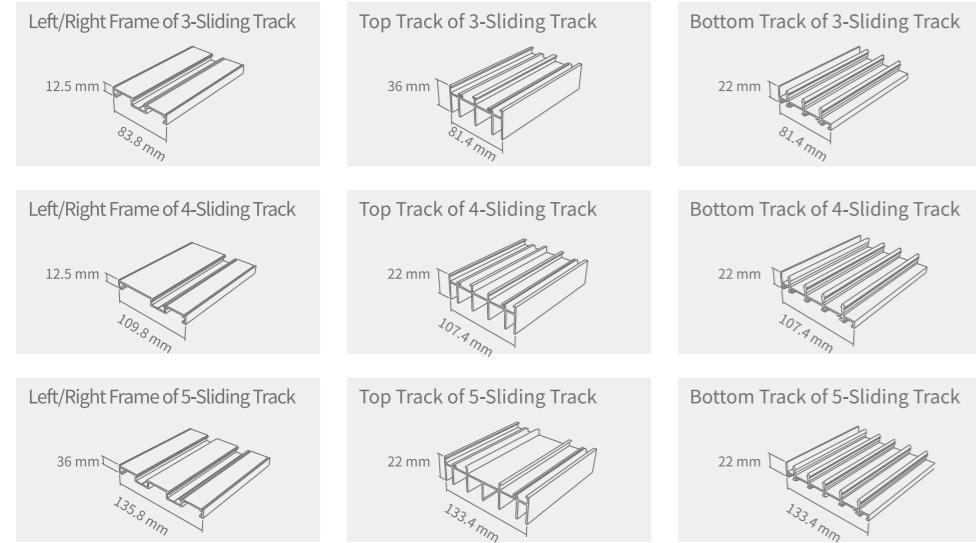




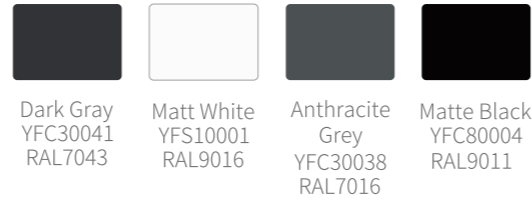
SLIM ALUMINIUM SLIDING GLASS PANEL

Flexible combination of multiple doors, built-in high-quality sliding system, smooth and noiseless sliding, frame made of tempered glass and high-strength aluminum, wind resistant and impact resistant, safe and stable, suitable for modern homes, offices, shop windows, etc., taking into account both beauty and functionality.

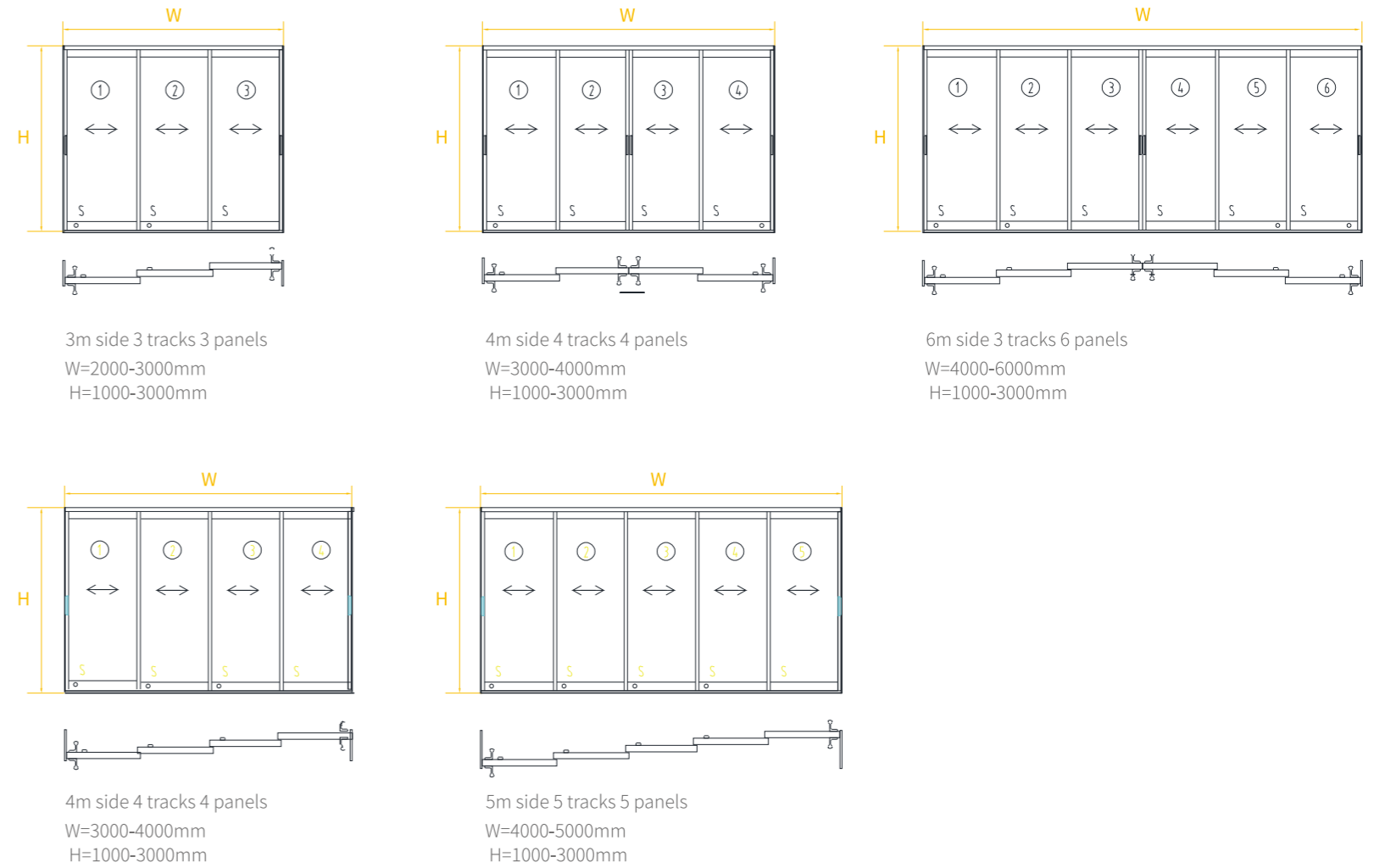
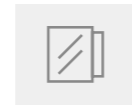
Profiles section view



Aluminium Standard Color



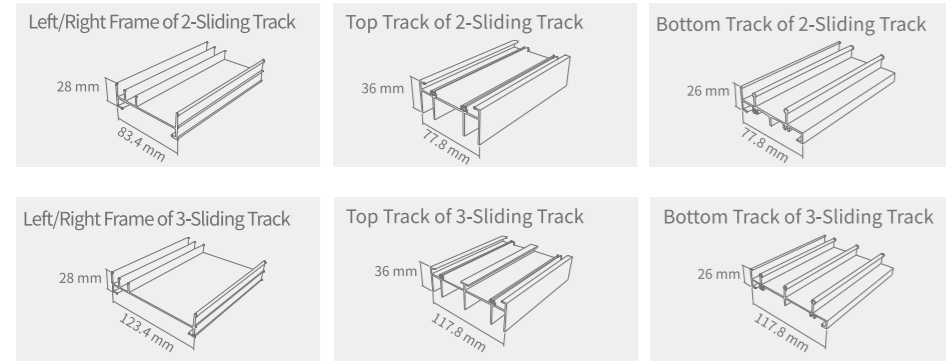
10mm tempered glass



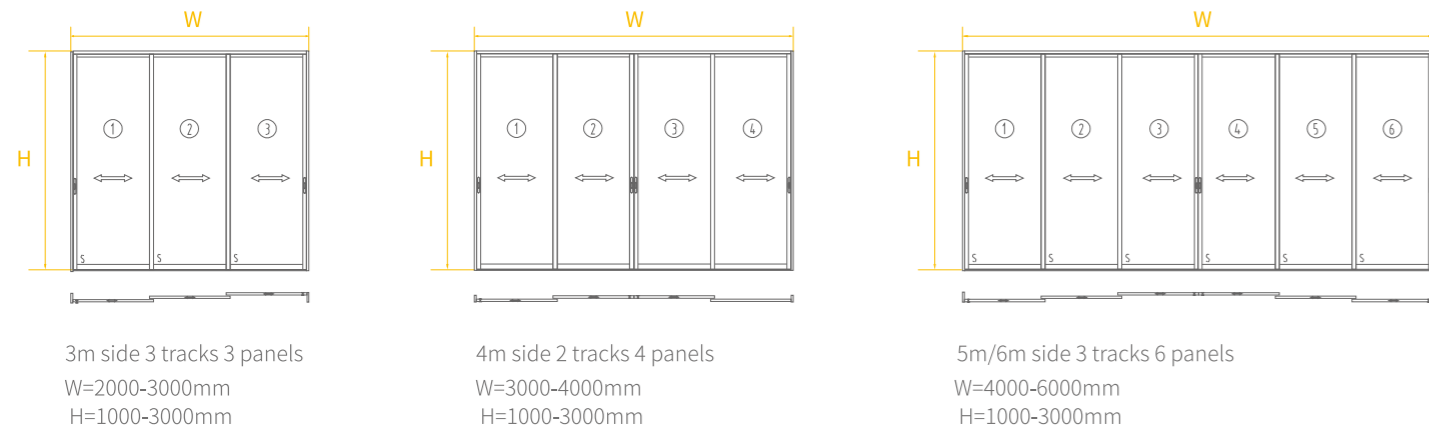
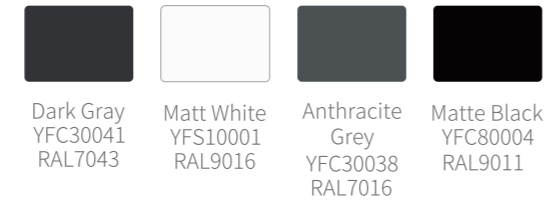
30 SERIES ALUMINIUM SLIDING GLASS PANEL



Profiles section view



Aluminium Standard Color



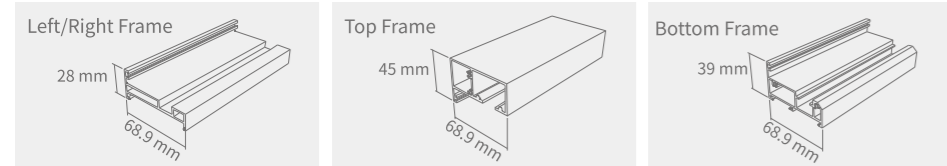


Wind-resistance

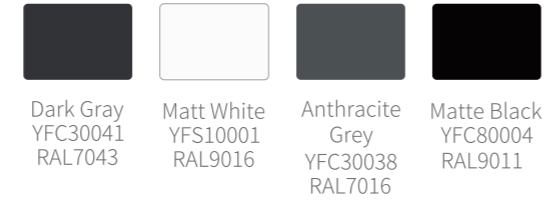
ALUMINIUM BI-FOLDING GLASS PANEL

The Its Bi-folding design feature makes the aluminum alloy folding glass door have significant advantages in space utilization. When the door is opened, multiple doors can be folded and pushed to the side, taking up almost no extra space, which is particularly suitable for places with limited space.

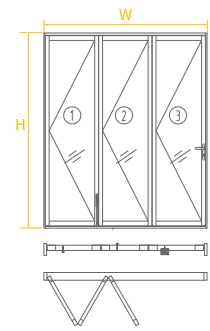
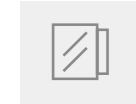
Profiles section view



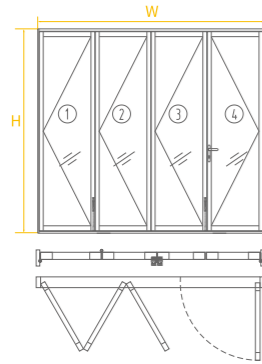
Aluminium Standard Color



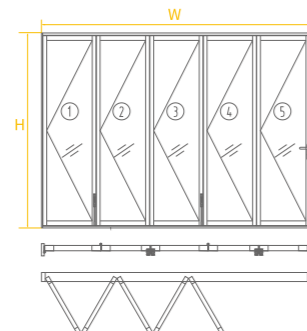
6mm tempered glass
4+12+4 double glazed tempered glass



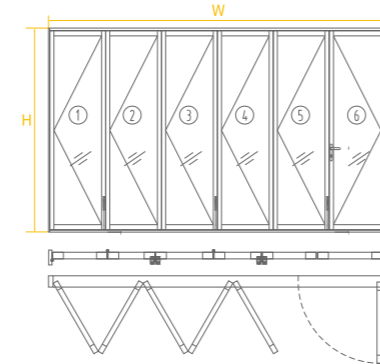
<3m side 330
W=1500-2200mm
H=1000-3000mm



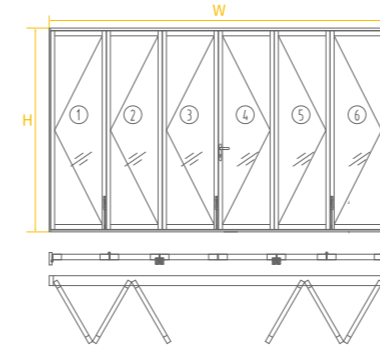
3m side 431
W=2000-3000mm
H=1000-3000mm



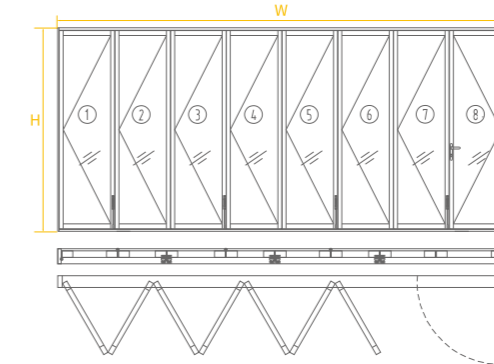
4m side 550
W=2300-3500mm
H=1000-3000mm



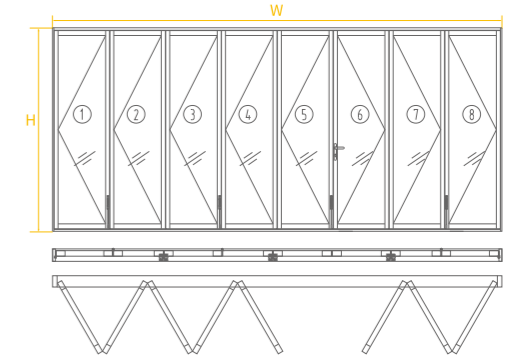
5m side 651
W=3000-4300mm
H=1000-3000mm



5m side 633
W=3000-4300mm
H=1000-3000mm



6m side 871
W=4000-6000mm
H=1000-3000mm



6m side 853
W=4000-6000mm
H=1000-3000mm

PART.04



ALUMINIUM OPERABLE BLADES SCREEN (HORIZONTAL)

Manual and electric optional

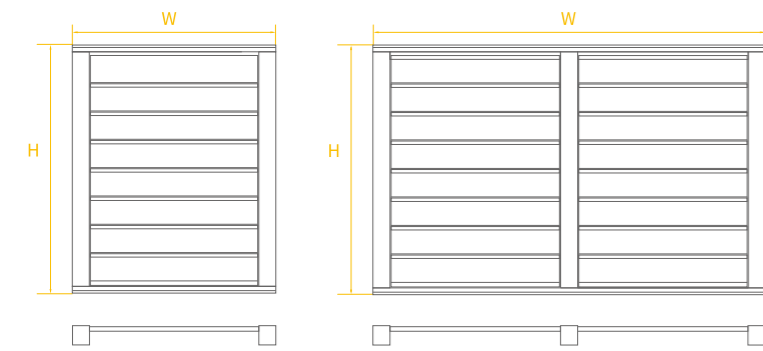
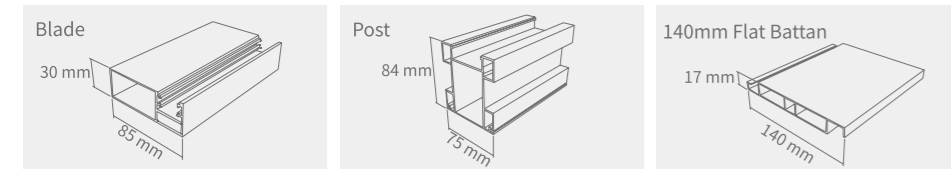
Electric control, the electric control device is hidden inside, can be connected to the smart home system, and can also be controlled by mobile phone APP to open and close the shutter anytime and anywhere.

The screen adopts high strength aluminum alloy, the surface is treated with multiple processes, the blades can resist wind and heat. Built-in rubber strips have a better waterproof effect. At the same time, advanced transmission and control systems are used to ensure the smooth operation of the blinds and low noise.

Elegantly designed, easy to install and easy to operate, and can effectively improve the quality of the indoor environment. Widely used in pergola, home, offices and other places, highlighting the convenience and comfort of modern smart life.



Profiles section view



W=1500-3000mm
H=1000-3000mm

W=2500-6000mm
H=1000-3000mm

Aluminium Standard Color

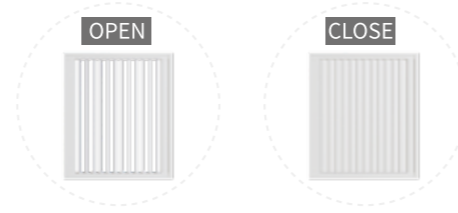


PART.04

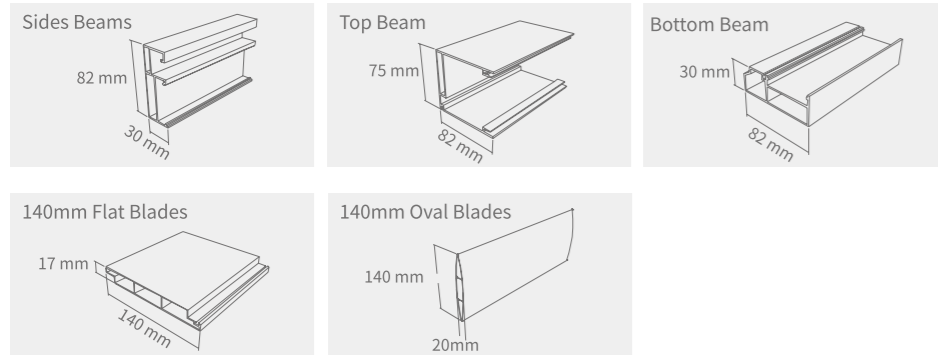


ALUMINIUM OPERABLE BLADES SCREEN (VERTICAL)

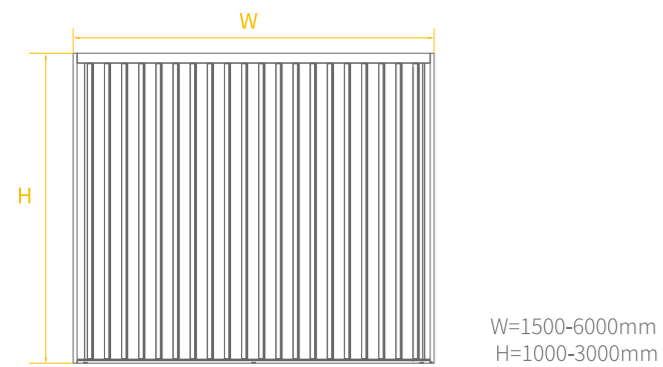
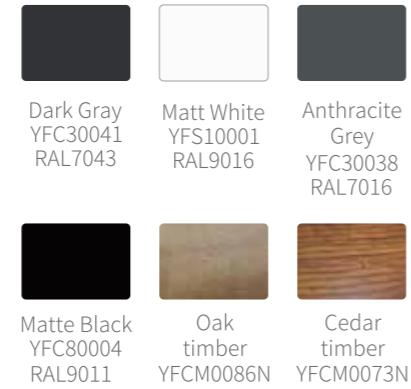
The function is almost the same as the horizontal model. The outer side of the lower horizontal frame of the vertical model is designed to be inclined, which is conducive to water drainage and not easy to accumulate at the bottom. There are drainage holes, and rainwater can flow out from the drainage outlet when it reaches the bottom through the gap. The vertical design can visually increase the height of the floor, making the space appear taller.



Profiles section view



Aluminium Standard Color

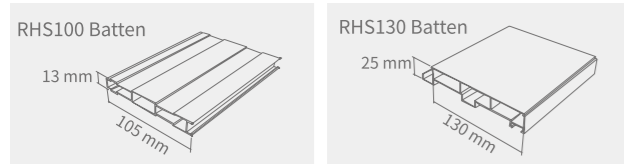
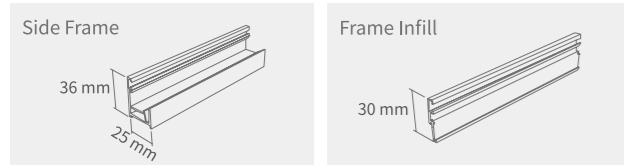


ALUMINIUM DECORATIVE WALL PANEL

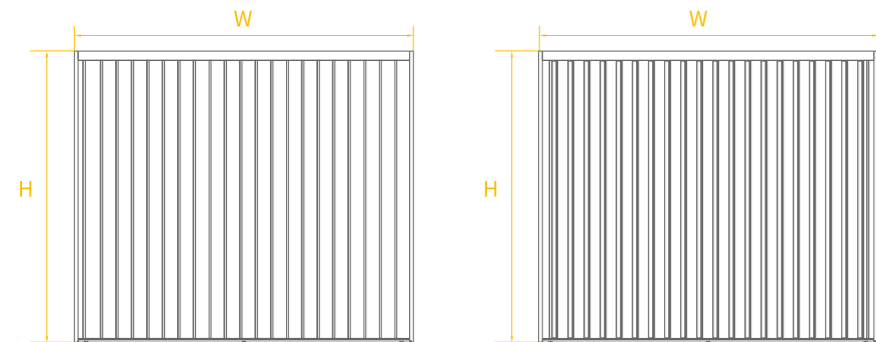
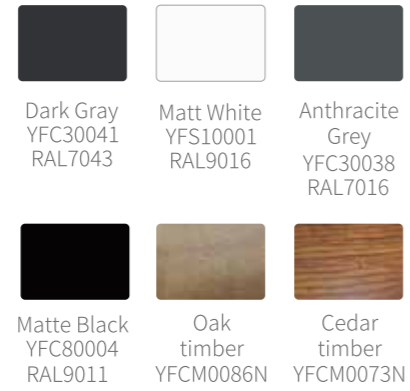
Available styles: vertical and horizontal.

The appearance is concave and convex shape, with unique three-dimensional sense, aluminum environmental protection material, can withstand certain impact and pressure, not easy to deform, stable and safe, sound insulation and heat insulation, moisture-proof and corrosion-resistant. It can be used as a multi-functional expansion of outdoor storage space, garage shade and rain protection.

Profiles section view



Aluminium Standard Color



W=1000-6000mm
H=1000-3000mm

